

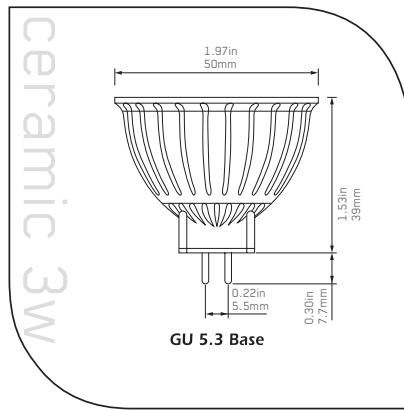
accent lighting series

Ceramic 3W

technical data

OPTILED
shaping the future of light

Please visit our website, www.OPTILED.com, to locate your nearest sales representative. You may also call James Chang (OPTILED customer service for mid-west and east coast US) at +1.702.966.9871 or Michael Schwartz (southwest and west coast US) at +1.714.338.0523 if you would like immediate assistance.



3 Watt Specifications						
Base Type	Product Weight	Beam Patterns Available	Power Consumption	Rated Life	Operation Temperature	Indoor/Outdoor Use
GU 5.3	NA	30°, 20° and 10°	3.0 Watts	35,000 Hrs	14 °F - 113 °F (-10 °C - +45 °C)	Indoor
Avail. Colors	Daylight					

Specific Color Specifications			
	Daylight 30°	Daylight 20°	Daylight 10°
Power Consumption	3.0w	3.0w	3.0w
Operational Voltage	12.0v	12.0v	12.0v
Color Temperature	6000k	6000k	6000k
Color Rendering Index	Ra=70	Ra=70	Ra=70
Intensity of Light Output	55lm	55lm	55lm
OPTILED Part Number	130606BBAA	130706BBAA	130806BBAA

OPTILED Technology, LLC warrants its products for defects in material or workmanship for 35,000 hours or FOUR (4) years from Date of Purchase. Please note that any OPTILED lamp requiring a constant current driver will only be warrantied if it is used with the proper OPTILED branded driver. Please see the warranty page at www.OPTILED.com for a more complete description of our warranty program.

Proof of purchase necessary.

Please refer to Terms and Conditions at www.OPTILED.com for more information.

The OPTILED® and CHIP logos are registered trademarks of OPTILED Holdings Company Ltd.

Country of origin: Taiwan

All rights reserved - OPTILED Holdings Co. Ltd. www.OPTILED.com



Packaging		
	Pieces	Gross Weight
Carton Pack	10 pcs / Carton	NA
Case Pack	100 Cartons / Case (10 inner boxes)	NA

