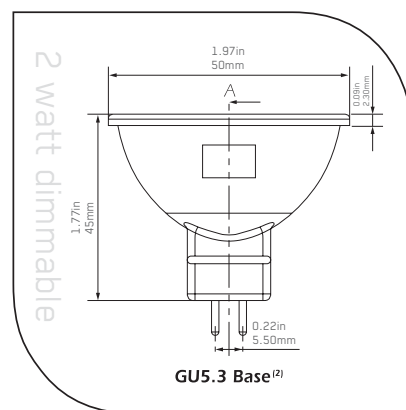


accent lighting series
2 Watt Dimmable
 technical data



OPTILED
 shaping the future of light

Please visit our website, www.OPTILED.com, to locate your nearest sales representative. You may also call James Chang (OPTILED customer service for mid-west and east coast US) at +1.702.966.9871 or Michael Schwartz (southwest and west coast US) at +1.714.338.0523 if you would like immediate assistance.

2 Watt Dimmable Specifications						
Base Type	Product Weight	Beam Patterns Available	Power Consumption	Rated Life	Operation Temperature	Indoor/Outdoor Use
GU 5.3	NA	4°*	2.0 Watts	35,000 Hrs	14 °F - 113 °F (-10 °C - +45 °C)	Indoor/Outdoor
Avail. Colors	Warm White	Daylight	Amber	Blue	Green	Red

* Changeable diffuser available to adjust beam angle

Specific Color Specifications		
	Daylight	Warm White
Power Consumption	2.0w	2.0w
Operational Voltage	12.0v	12.0v
Color Temperature	6000K	3000K
Color Rendering Index	Ra=75	Ra=85
Intensity of Light Output	14lm	12lm
OPTILED Part Number	140106BBAA	140105BBAA
OPTILED Part number for other colors: Amber 140101BBAA, Blue 140102BBAA, Green 140103BBAA, Red 140104BBAA		

OPTILED Technology, LLC warrants its products for defects in material or workmanship for 35,000 hours or FOUR (4) years from Date of Purchase. Please note that any OPTILED lamp requiring a constant current driver will only be warrantied if it is used with the proper OPTILED branded driver. Please see the warranty page at www.OPTILED.com for a more complete description of our warranty program.

Proof of purchase necessary.

Please refer to Terms and Conditions at www.OPTILED.com for more information.

The OPTILED® and CHIP logos are registered trademarks of OPTILED Holdings Company Ltd.
 Country of origin: China

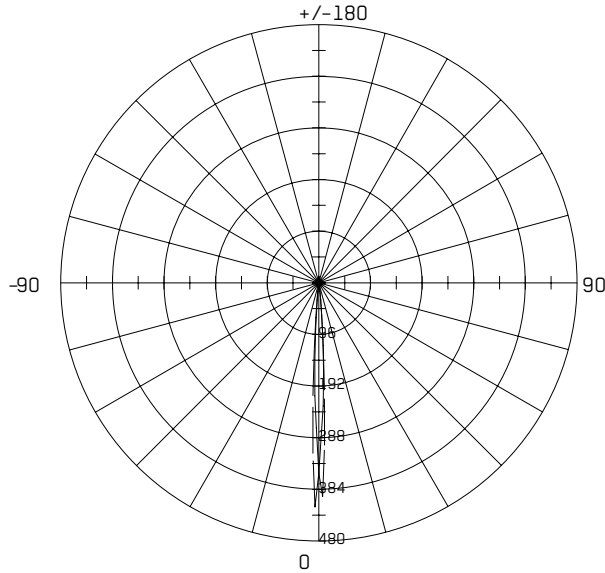
All rights reserved - OPTILED Holdings Co. Ltd. www.OPTILED.com



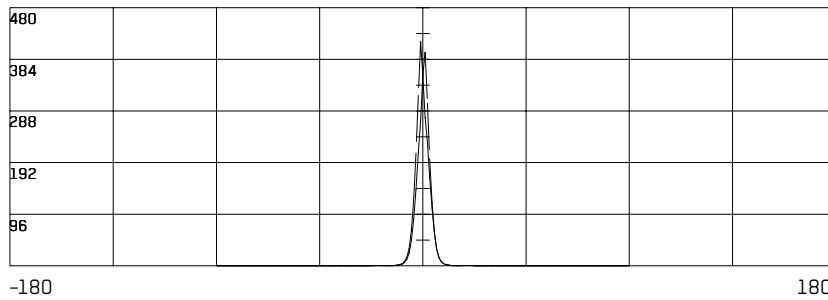
Packaging

	Pieces	Gross Weight
Carton Pack	10 pcs / Carton	NA
Case Pack	10 Cartons / Case (100 pcs)	NA

Light Distribution Curve: Daylight



Polar Coordinates

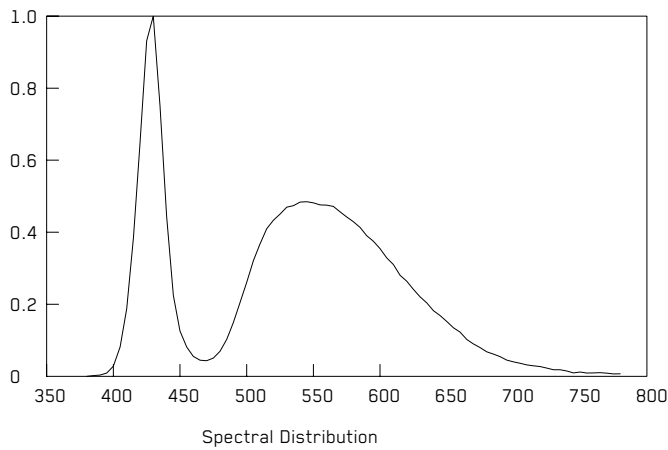


[cd] | CO_180: ——— C90_270: — — — —

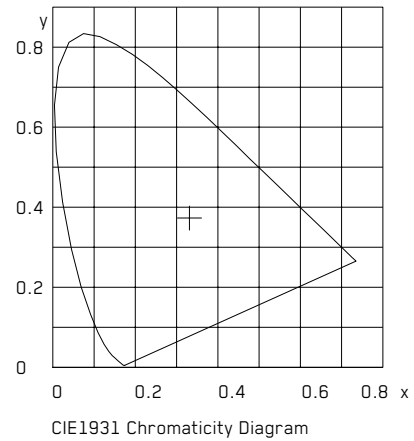
Max Intensity : 353.74cd/C0

Max Intensity : 397.08cd/C90

Spectroradiometric Parameters: White



Spectral Distribution



CIE1931 Chromaticity Diagram