

# 90-30 Extreme Temp 44 in 1



**Description:** 90°C Max Case Temp./ -30°C Start Temp. Universal Voltage and Multi Lamp Compact Electronic Ballast for Two or One 42, 32, 26W CF Lamp(s), 40, 39, 36 FT Lamp(s) and One 55 or 50W FT Lamps and One 38W 2D Lamp.

Model #	Input Voltage	No. of Lamps	Lamp Watts	Input Watts (AVG)	Input Current (MAX)	Power Factor (STD)	Ballast Factor (STD)	THD	Bench Heat Test at 25°C Ambient Temp.	Crest Factor
CSD-UV42PS	120V	2	42W	84W	0.74	99	0.90	1	45°C	1.5
	120V	2	32W	64W	0.52	99	0.95	2	40°C	1.5
	120V	2	26W	56W	0.46	99	1.00	2	40°C	1.5
	120V	1	42W	43W	0.35	99	0.95	9	40°C	1.5
	120V	1	32W	33W	0.27	99	1.00	6	40°C	1.5
	120V	1	38W	32W	0.28	99	0.83	6	40°C	1.5
	120V	2	40W	85W	0.71	99	1.00	1	45°C	1.5
	120V	2	39W	65W	0.59	99	0.85	5	40°C	1.4
	120V	2	36W	65W	0.57	99	0.85	8	40°C	1.5
	120V	1	40W	42W	0.38	99	0.90	4	35°C	1.5
	120V	1	39W	35W	0.30	99	0.85	8	40°C	1.4
	120V	1	36W	33W	0.27	99	0.85	6	45°C	1.5
	120V	1	55W	40W	0.34	99	0.75	9	40°C	1.5
	120V	1	50W	40W	0.33	99	0.75	4	40°C	1.5
	120V	1	26W	30W	0.26	99	0.94	6	40°C	1.5
	220/240V	2	42W	82W	0.36	99	0.90	1	45°C	1.5
	220/240V	2	32W	62W	0.27	99	0.95	8	40°C	1.5
	220/240V	2	26W	54W	0.25	99	1.00	9	40°C	1.5
	220/240V	1	42W	42W	0.18	99	0.95	3	40°C	1.5
	220/240V	1	32W	32W	0.14	98	0.95	13	40°C	1.5
	220/240V	1	38W	34W	0.14	98	0.85	14	40°C	1.5
	220/240V	2	40W	82W	0.36	99	0.90	6.4	45°C	1.5
	220/240V	2	39W	63W	0.29	99	0.80	8.5	40°C	1.5
	220/240V	2	36W	64W	0.27	99	0.85	8	40°C	1.5
	220/240V	1	40W	43W	0.18	99	0.90	10	35°C	1.5
	220/240V	1	39W	34W	0.15	98	0.85	13	40°C	1.5
	220/240V	1	36W	33W	0.14	98	0.85	14	40°C	1.5
	220/240V	1	55W	43W	0.19	98	0.76	13	35°C	1.5
	220/240V	1	50W	40W	0.17	99	0.75	4	35°C	1.5
	277V	2	42W	82W	0.31	99	0.90	7	40°C	1.5
	277V	2	32W	61W	0.22	99	0.95	9	45°C	1.5
	277V	2	26W	54W	0.19	99	1.00	9.8	40°C	1.5
	277V	1	42W	42W	0.18	98	0.95	15	40°C	1.5
	277V	1	32W	33W	0.12	96	0.95	20	40°C	1.5
	277V	1	38W	37W	0.14	95	0.85	18	40°C	1.5
	277V	2	40W	82W	0.30	99	1.00	7	45°C	1.5
	277V	2	39W	64W	0.23	99	0.80	9.6	40°C	1.5
	277V	2	36W	64W	0.23	94	0.88	8.5	40°C	1.5
	277V	1	40W	43W	0.18	98	0.90	1.3	35°C	1.5
	277V	1	39W	34W	0.13	96	0.85	24	40°C	1.5
	277V	1	36W	32W	0.12	96	0.85	23	40°C	1.5
	277V	1	55W	45W	0.16	98	0.76	13	35°C	1.5
	277V	1	50W	40W	0.15	98	0.75	15	35°C	1.5
	277V	1	26W	31W	0.11	97	0.95	14	40°C	1.5

**Performance:**

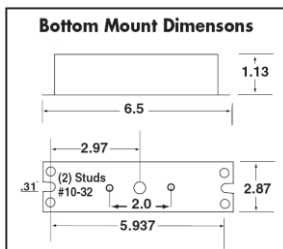
- Universal Voltage
- Rating: Type 1 Outdoor
- Remote Wiring Length: 25 ft.
- IR Interference: None
- High Power Factor

**Application:**

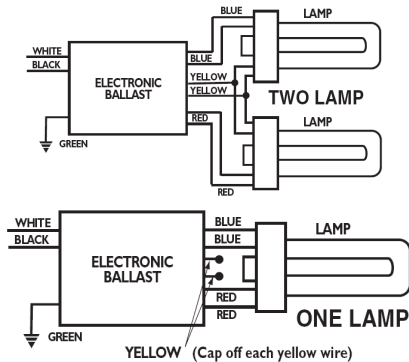
- Minimum Starting Temperature to -30°C
- Allowed Maximum Case Temperature 90°C (full warranty)
- Sound Rated A
- Lead Connection: Add BM after P to model # for Bottom Mount Applications

**Safety:**

- Auto Reset
- End of Lamp Life Protection Circuit
- UL Listed Type CC
- CUL Certified
- No PCB's
- Surge Protected, Meets ANSI C62.41
- Starting Method: Program Start
- Carrier Guard™ Protection for Powerline Carrier Signals



**Warranty:**  
A.C.E., warrants to the purchaser that each electronic ballast will be free from defects in material or workmanship for a period of 3 years from date of manufacture when properly installed and under normal conditions of use.  
**Call 1-800-375-6355 for technical assistance.**



**Physical Parameters:**

- Length: 6.5"
- Width: 2.87"
- Height: 1.13"
- Weight: 12 oz.
- Mounting Length: 5.937"
- Terminal Block Lead Connectors**
- Qty/Cartron 42 pcs